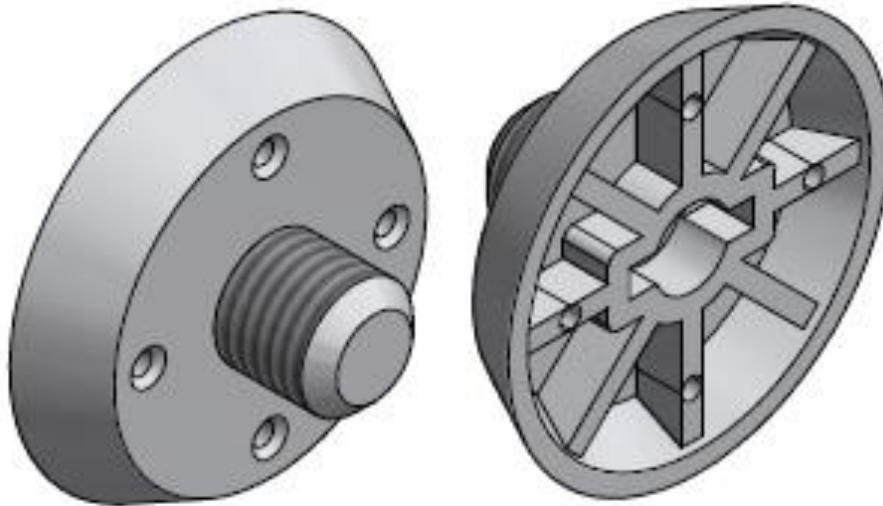


## COMMERCIAL DOCUMENTATION

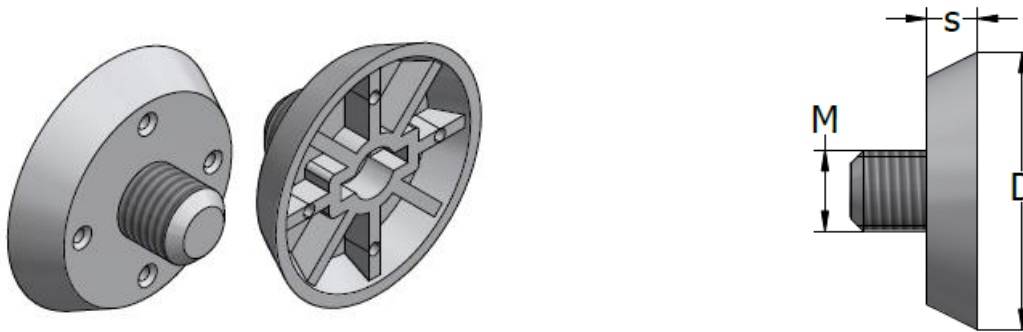


### 1D-HD - LIFTING SYSTEMS | **KU-10 PLASTIC NAILING PLATE**



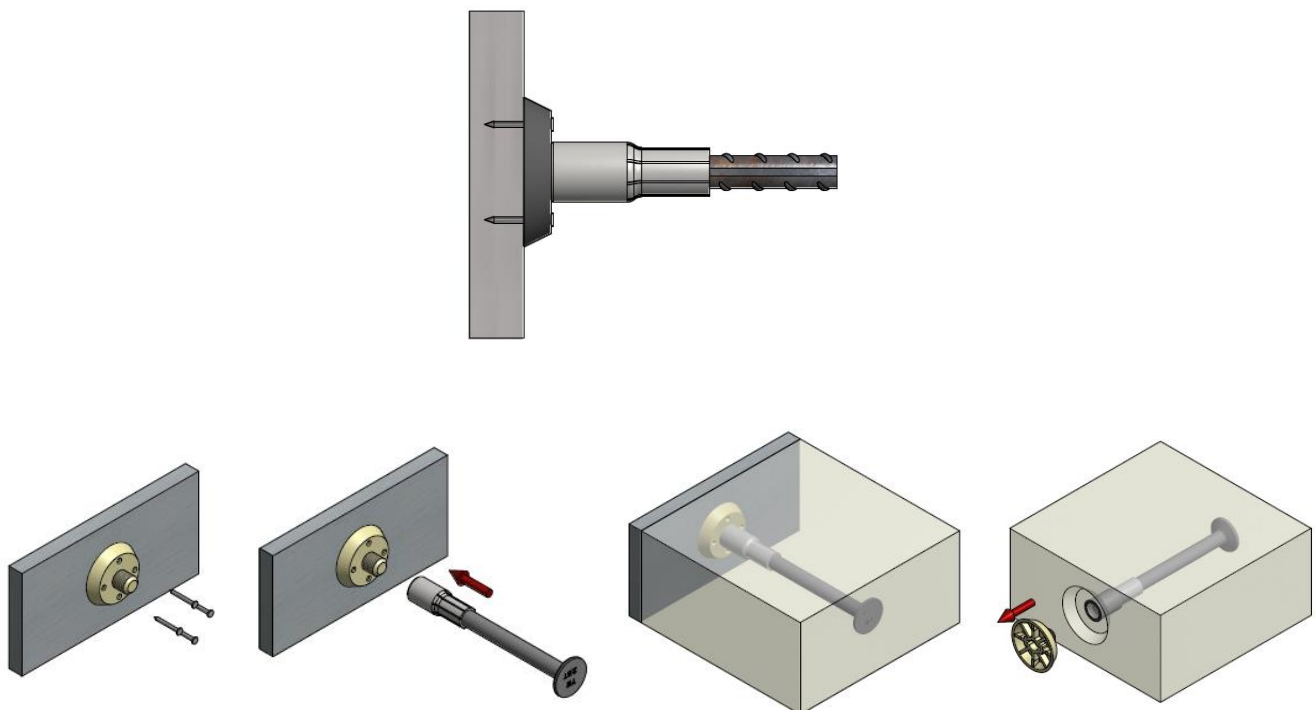
## PLASTIC NAILING PLATE KU-10

The nailing plates KU-10 are used for affixing the anchors and the lifting sockets to the formwork with nails. The fixing flange ensures a minimum recess around the head of the anchor. The recess is filled with fine concrete for protection against corrosion.



KU-10	Product no.	Thread	Diam. D	s	Colour
		M	[mm]	[mm]	
KU-10-M12	63246	12	47	10	Red RAL 3020
KU-10-M16	63256	16	47	10	Grey RAL 7043
KU-10-M20	63257	20	60	10	Green RAL 6024
KU-10-M24	63258	24	60	10	Blue RAL 5017
KU-10-M30	63259	30	73	10	Light grey RAL 7004
KU-10-M36	63260	36	73	10	Orange RAL 2009
KU-10-M42	63261	42	96	12	Yellow RAL 1023
KU-10-M52	63262	52	96	12	Black RAL 9017

The plastic nailing plates KU-10 are nailed to formwork. Using forming wax on the nailing plate makes it easier to remove and screw on an anchor or fixing insert. The anchor must be fastened to the reinforcement by suitable means, so it does not move when concreting. After stripping, unscrew.



**CONTACT**

TERWA is the global supplier for precast and construction solutions with multiple offices around the world. With all our staff, partners and agents, we are happy to provide all construction and precast companies who work in the building industry with full service and 100% support.

**TERWA CONSTRUCTION GROUP****Terwa Construction Netherlands (HQ)**

**Global Sales & Distribution**  
Kamerlingh Onneslaan 1-3  
3401 MZ IJsselstein  
The Netherlands  
**T** +31-(0)30 699 13 29  
**F** +31-(0)30 220 10 77  
**E** [info@terwa.com](mailto:info@terwa.com)

**Terwa Construction Central East Europe**

**Sales & Distribution**  
Strada Sânzieni  
507075 Ghimbav  
Romania  
**T** +40 372 611 576  
**E** [info@terwa.com](mailto:info@terwa.com)

**Terwa Construction Poland**

**Sales & Distribution**  
Ul. Cicha 5 lok. 4  
00-353 Warszawa  
Poland  
**E** [info@terwa.com](mailto:info@terwa.com)

**Terwa Construction India & Middle East**

**Sales & Distribution**  
India  
**T** +91 89 687 000 41  
**E** [info@terwa.com](mailto:info@terwa.com)

**Terwa Construction China**

**Sales & distribution**  
5F 504, No. 101 Chuanchang road  
PRC, 200032, Shanghai  
China  
**E** [info@terwa.com](mailto:info@terwa.com)

**ALL SPECIFICATIONS CAN BE CHANGED WITHOUT PREVIOUS NOTICE.**

**DISCLAIMER**

Terwa B.V. is not liable for deviations due to wear of the products it has delivered. Neither is Terwa B.V. liable for damage due to inaccurate and/or improper handling and use of the products it has delivered and/or use of same for purposes other than those intended.

Terwa B.V.'s responsibility is furthermore limited in accordance with article 13 of the "Metaalunie" conditions, which are applicable for all Terwa B.V. deliveries. The user is responsible for ensuring compliance with all applicable copyright laws. Without limiting the rights under copyright, no part of this documentation may be reproduced, stored in or introduced into a retrieval system, or transmitted in any form or by any means (electronic, mechanical, photocopying, recording, or otherwise), or for any purpose, without the express written permission of Terwa B.V.